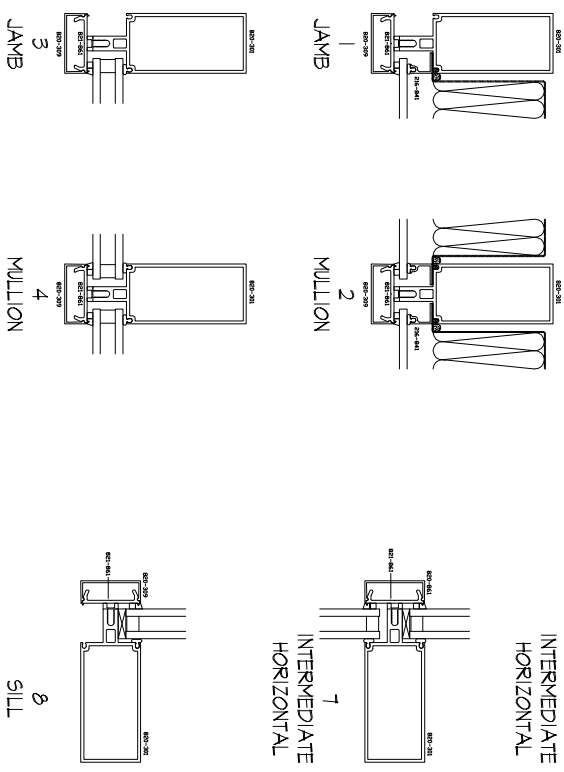
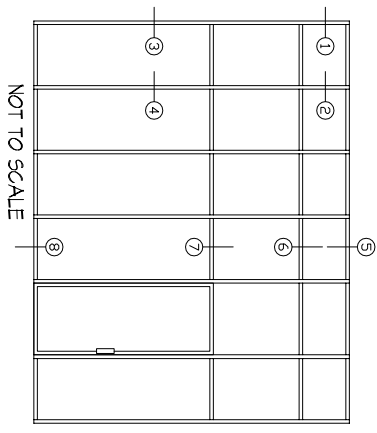


**SPECIFICATIONS**

- SLOPED ROOF SYSTEM
  - TYPICAL ON ROOFING
  - 1/2" AIR SPACE ABOVE INSULATION
  - 5/8" FLUVOID SHEETING FOR TRUSSES AT 24" O.C.
  - 1/2" AIR SPACE ABOVE INSULATION
  - R-40 INSULATION - R20 IN GARAGE
  - 6" POLY Y/B
  - 1/2" DRYWALL
  - FINISH BY INTERIOR DESIGNER
- EXTERIOR WALL
  - 3/4" ASPHALT STRUCCO
  - ON 2x6 STUD WALLS
  - 2x6 STUD WALL - STUDS @ 24" O.C.
  - R-20 BATT INSULATION
  - 6 MIL POLY Y/B
  - 1/2" DRYWALL
  - PAINTED FINISH
- INTERIOR LOAD BEARING WALL
  - 1/2" DRYWALL
  - 2x6 STUD WALL - STUDS @ 16" O.C.
  - 1/2" DRYWALL
  - 2x4 STUD WALL - STUDS @ 16" O.C.
  - 1/2" DRYWALL
- FLOOR SYSTEM
  - INTERIOR FLOOR COVERINGS
  - 1/2" GFLUVOID 25 MPA
  - 1/2" POLY Y/B
  - 1/2" DRYWALL (AS REQ'D)
  - FINISH BY INTERIOR DESIGNER
- CONCRETE FOUNDATION
  - 8" CONCRETE FOUNDATION WALL 25 MPA
  - 1/2" COMPACTED SHALE
  - 4" PERIMETER DRAIN W/ MIN 6" GRAVEL COVER
  - REFER TO STRUCTURAL DRAWINGS.
  - 4" CONCRETE SLAB 25 MPA
  - 6 MIL POLY
  - COMPACTED SHALE
- GARAGE CONCRETE SLAB
  - 4" CONCRETE SLAB SLOPED 3" TO DOOR
  - 52 MPA
  - 6 MIN GRANULAR FILL
  - COMPACTED SHALE
  - REFER TO STRUCTURAL DRAWINGS.



**1 GLASS & GLAZING DETAILS**  
SCALE: 6" = 1'-0"

CONSULTANTS  
**Carl Scholl**  
 Design Inc.  
 1474 Water Street  
 Rockville, MD 20850  
 (301) 761-4413  
 carlscholl@shawcable.com

No.	Revision/Issue	Date
2	PERKAIT	04 JUNE 07
1	TEST PLOT	24 APRIL 07

Project Title:  
**SOLIDO MOUNTAIN HOMES**  
 SNOWBIRD WAY, BIG WHITE, CO.

Drawing Title:  
**UNIT "B1" DETAILS**

Date: 7-MAR-2007 Drawn By: MARCH 15, 2007 Scale: 1/8" = 1'-0" Sheet: 7 of 7	Title: <b>A7</b> Date: 7-MAR-2007
--	--------------------------------------